



GROW WALL SYSTEM

Assembly guide



GROW WALL SYSTEM

assembly guide

Welcome to the assembly manual for the GROW WALL SYSTEM, an adaptable and modular solution crafted to effortlessly when you would like to make use of the walls. This system fit into any indoor or outdoor environment The pipes are assembled to a light aluminum frame structure that is then mounted to the wall.

This guide walks you through the assembly process, guaranteeing a streamlined and effective setup experience.



GROW WALL SYSTEM

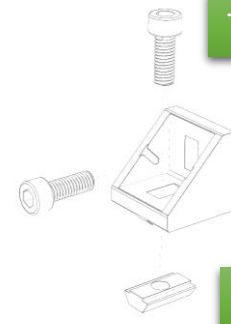


Included parts

GROWPIPES

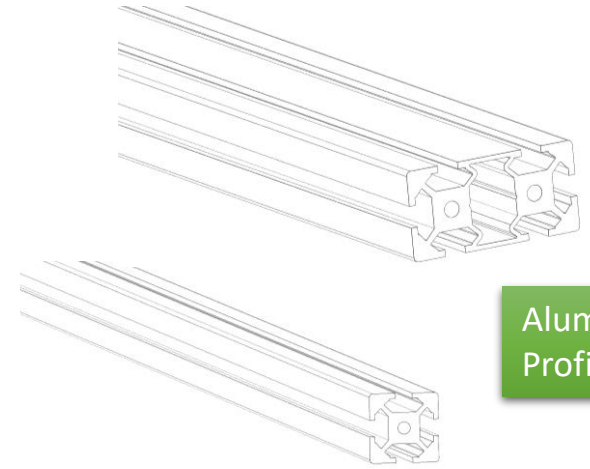


T-slot screws



T-slot brackets

T-slot nuts



Aluminum Profiles

Root Stoppers



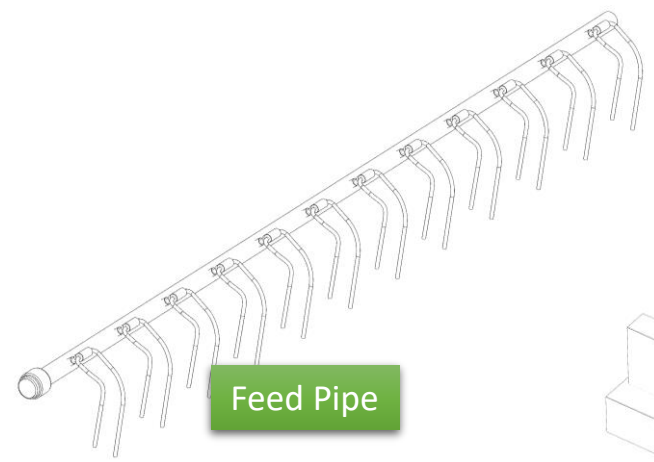
Pipe Lids



Top Lids

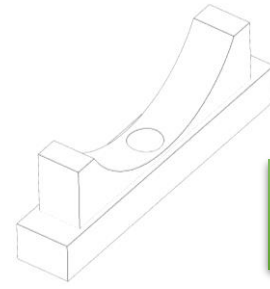


Pipe Clamps (Ø 32 mm)



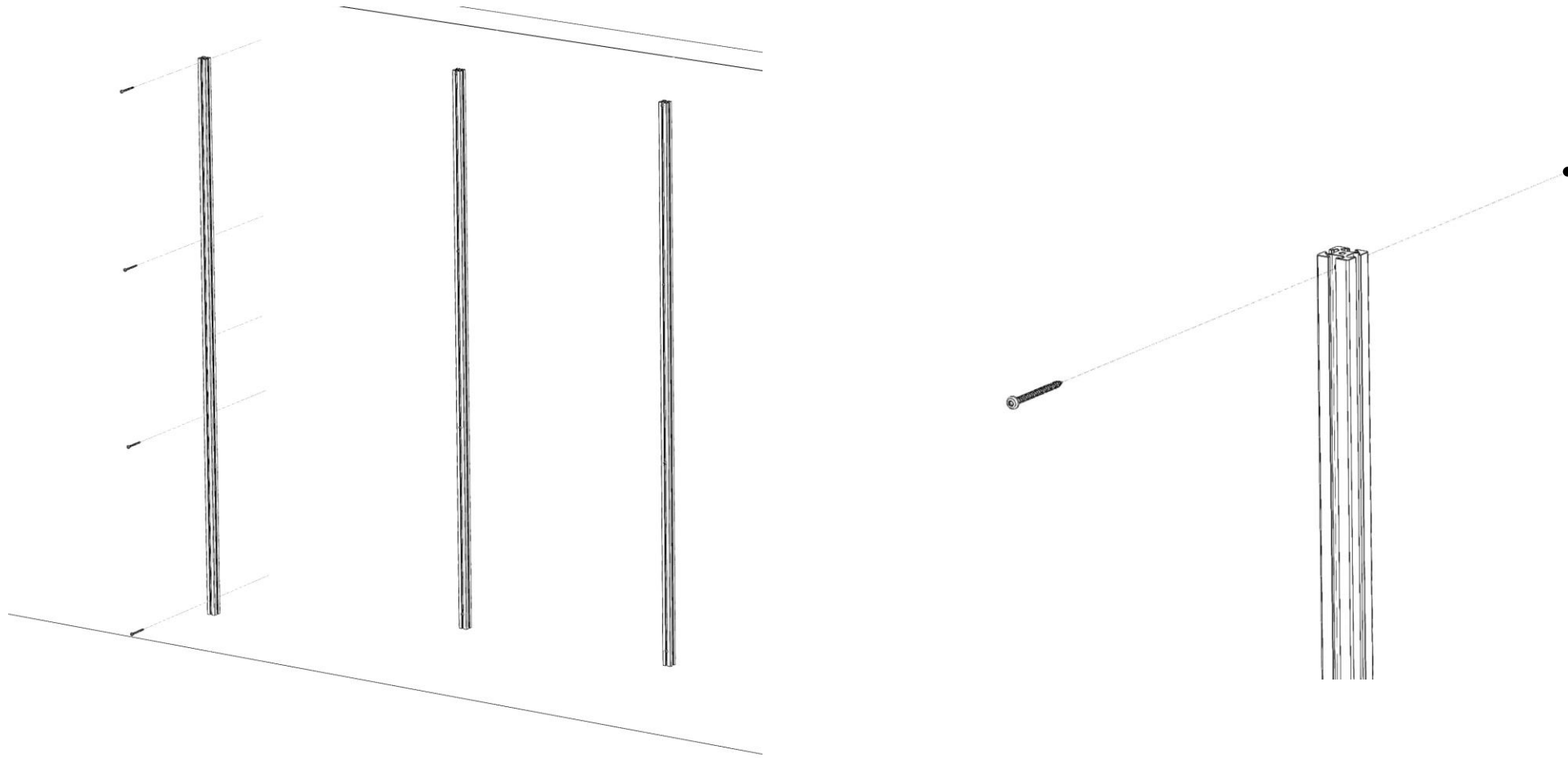
Feed Pipe

Pipe Clamps (Ø 110 mm)



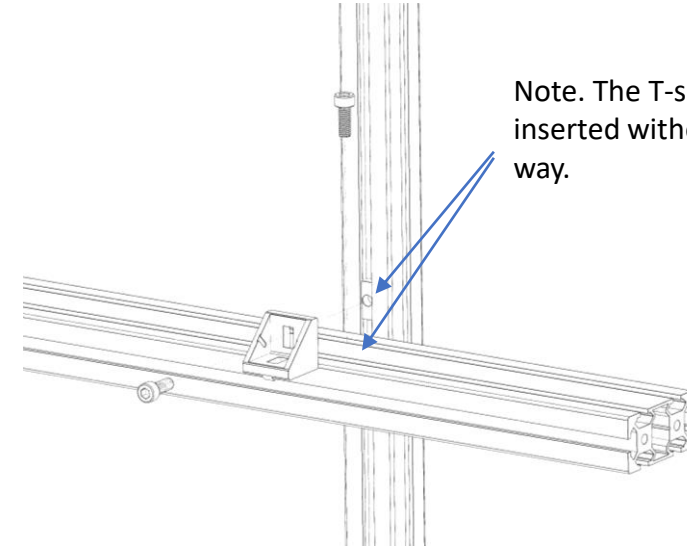
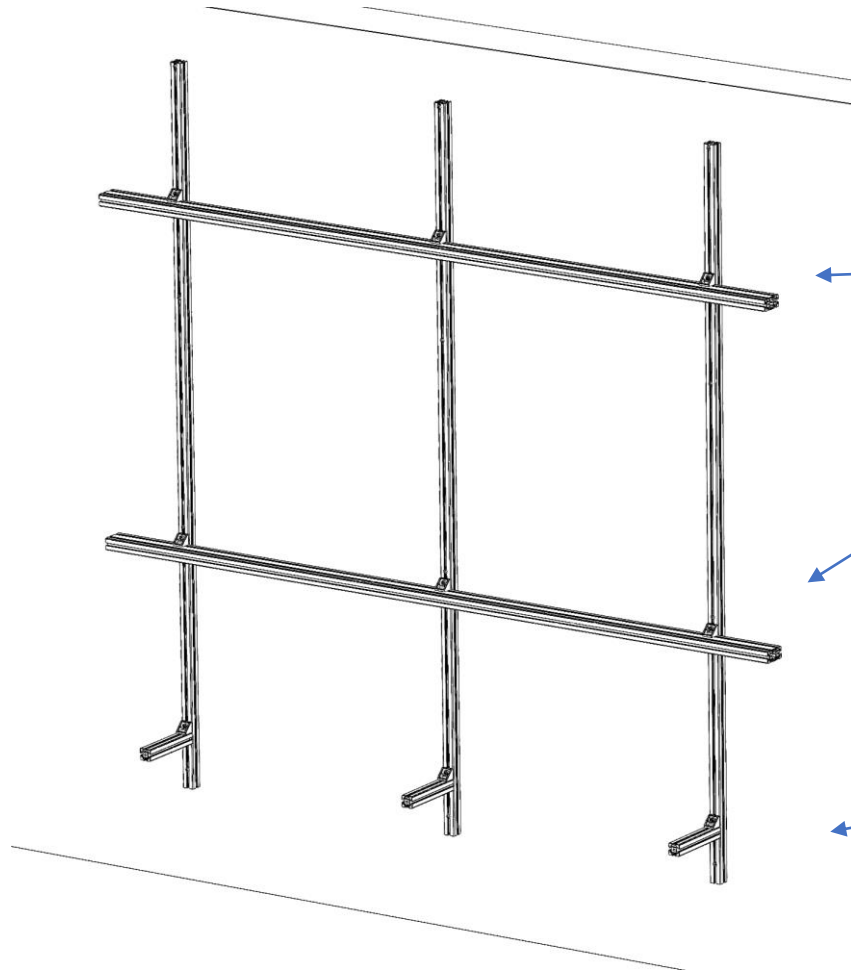
GROW WALL SYSTEM

Mount the vertical aluminum profiles on the wall. Use screws and wall plugs suitable for the specific wall (not included).

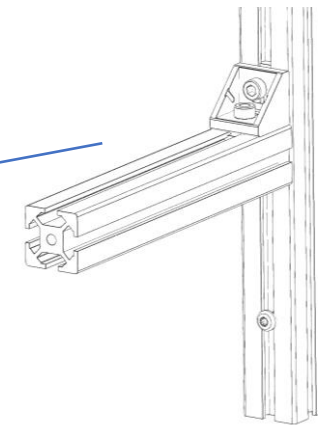


GROW WALL SYSTEM

Mount the horizontal aluminum profiles and the feed pipe profiles on vertical profiles. Use the T-slot brackets.



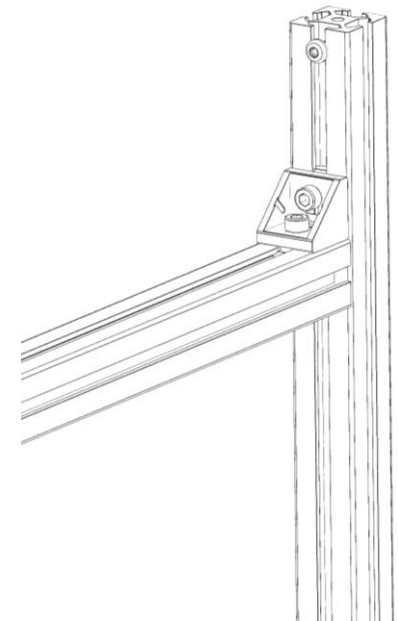
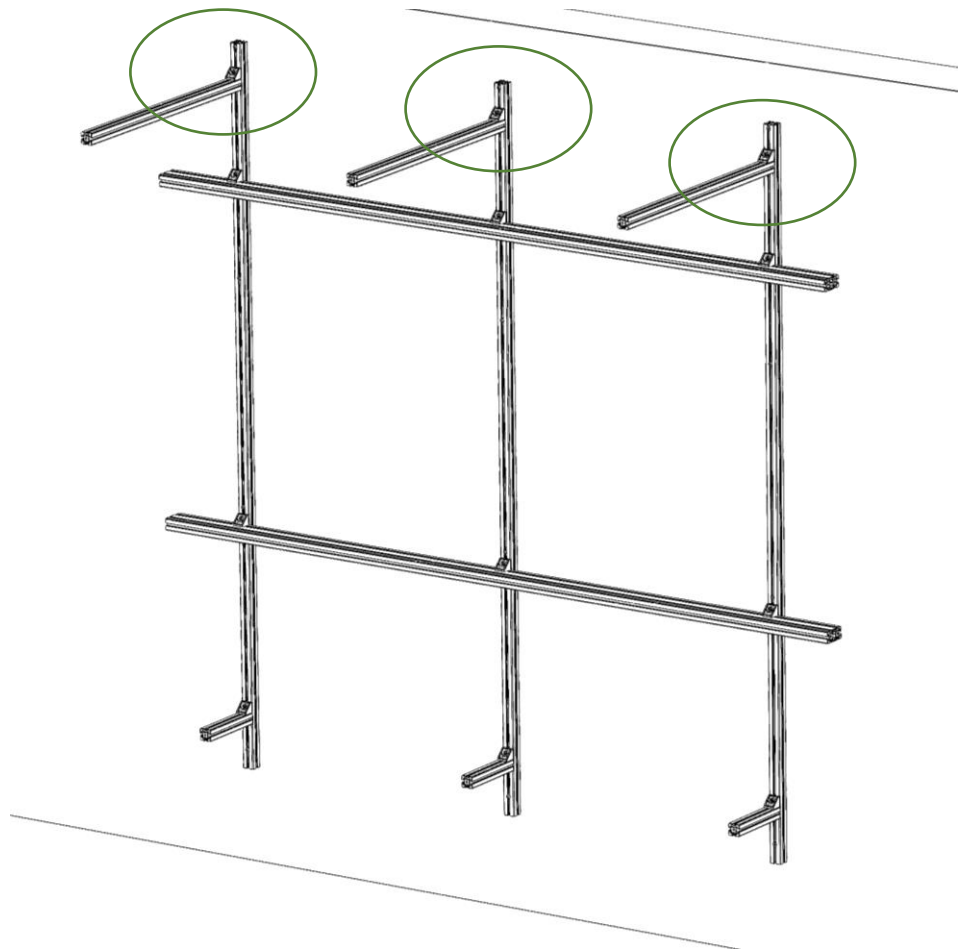
Note. The T-slot nuts can be inserted without sliding them all the way.



Drain Pipe profile

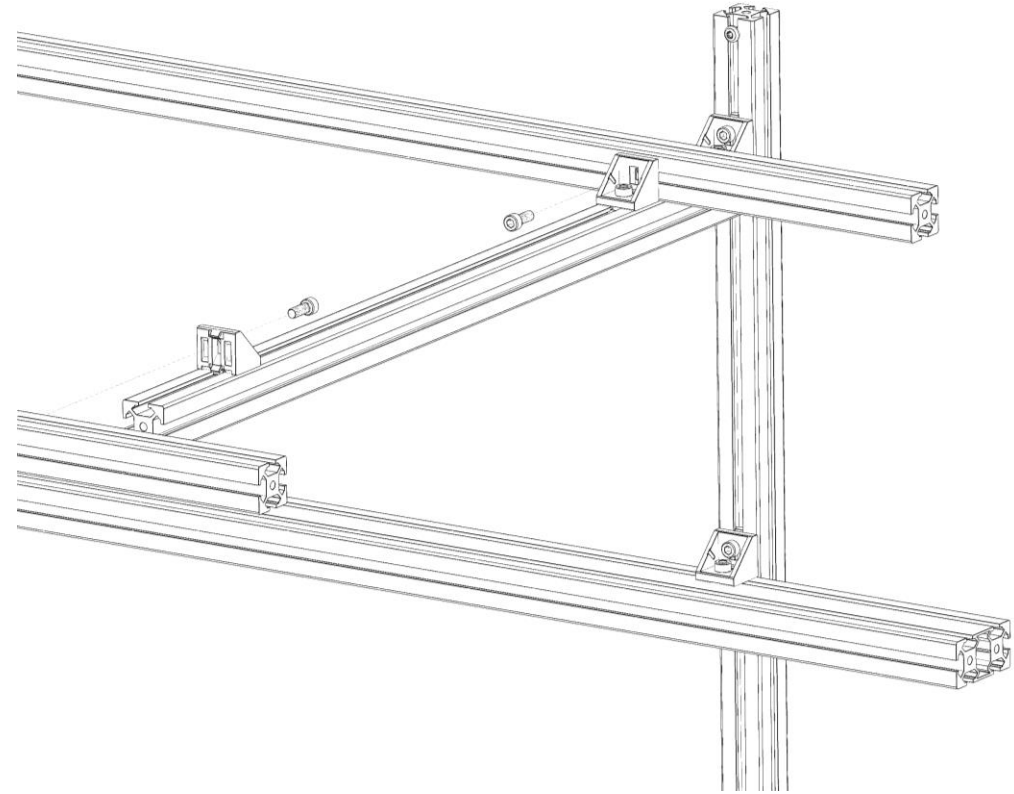
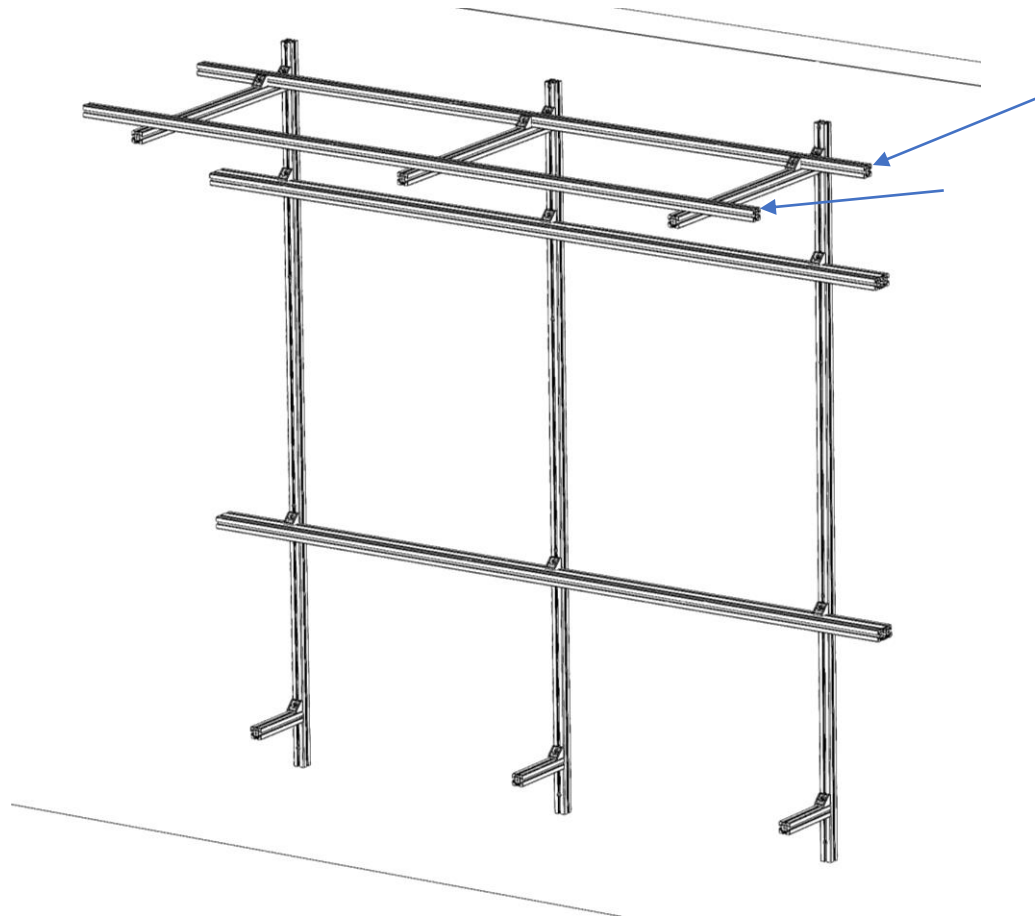
GROW WALL SYSTEM

Assemble the Wall System



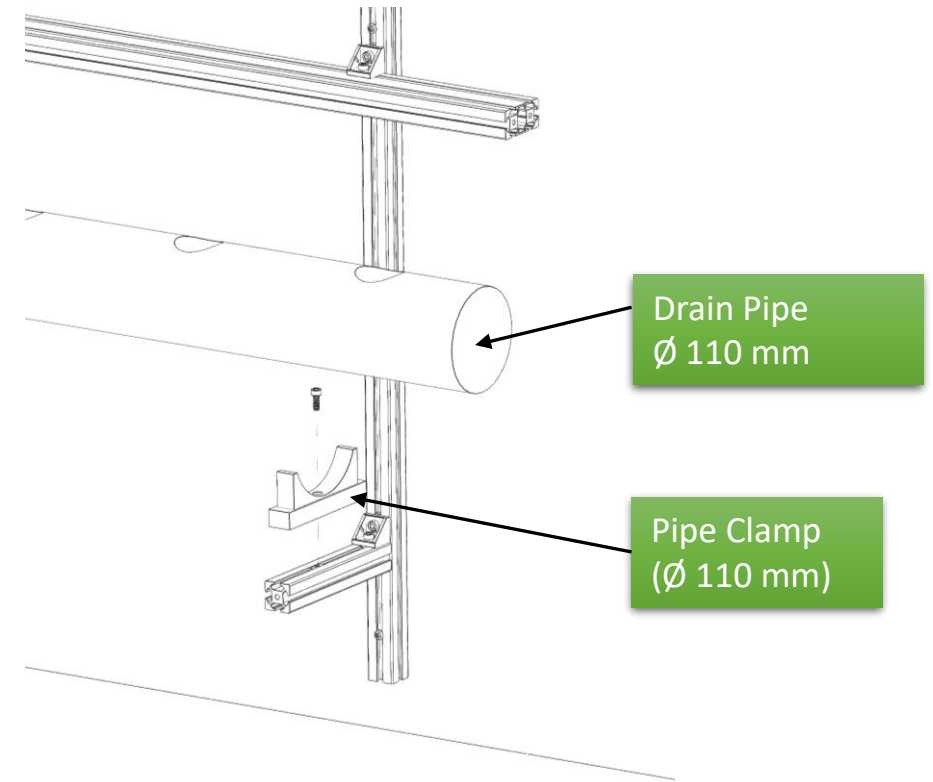
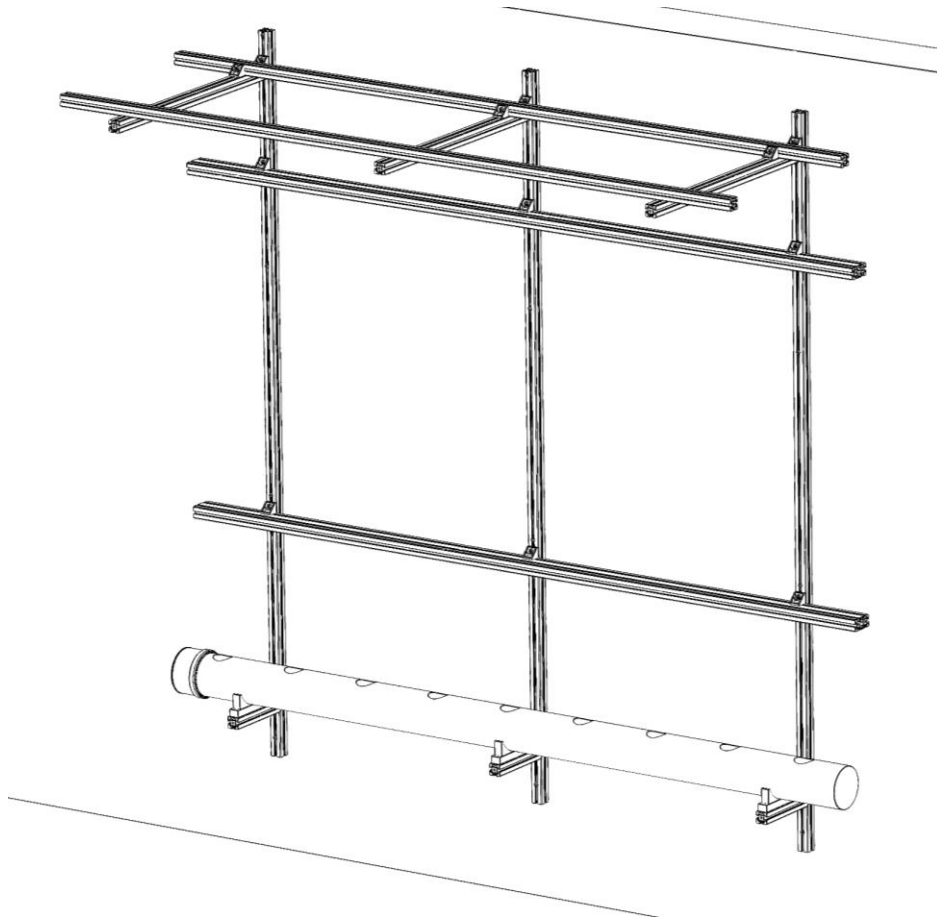
GROW WALL SYSTEM

Assemble the Wall System



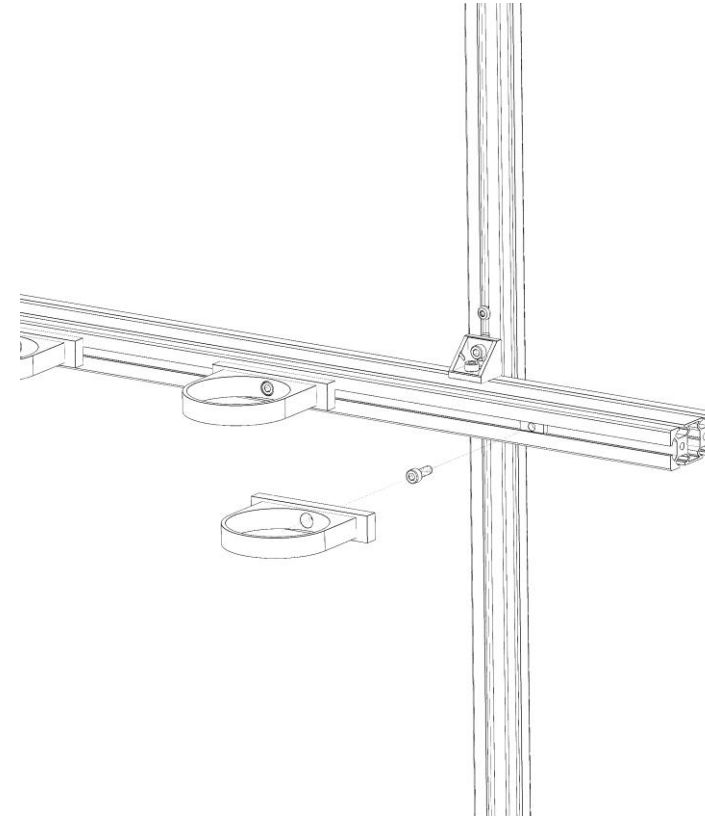
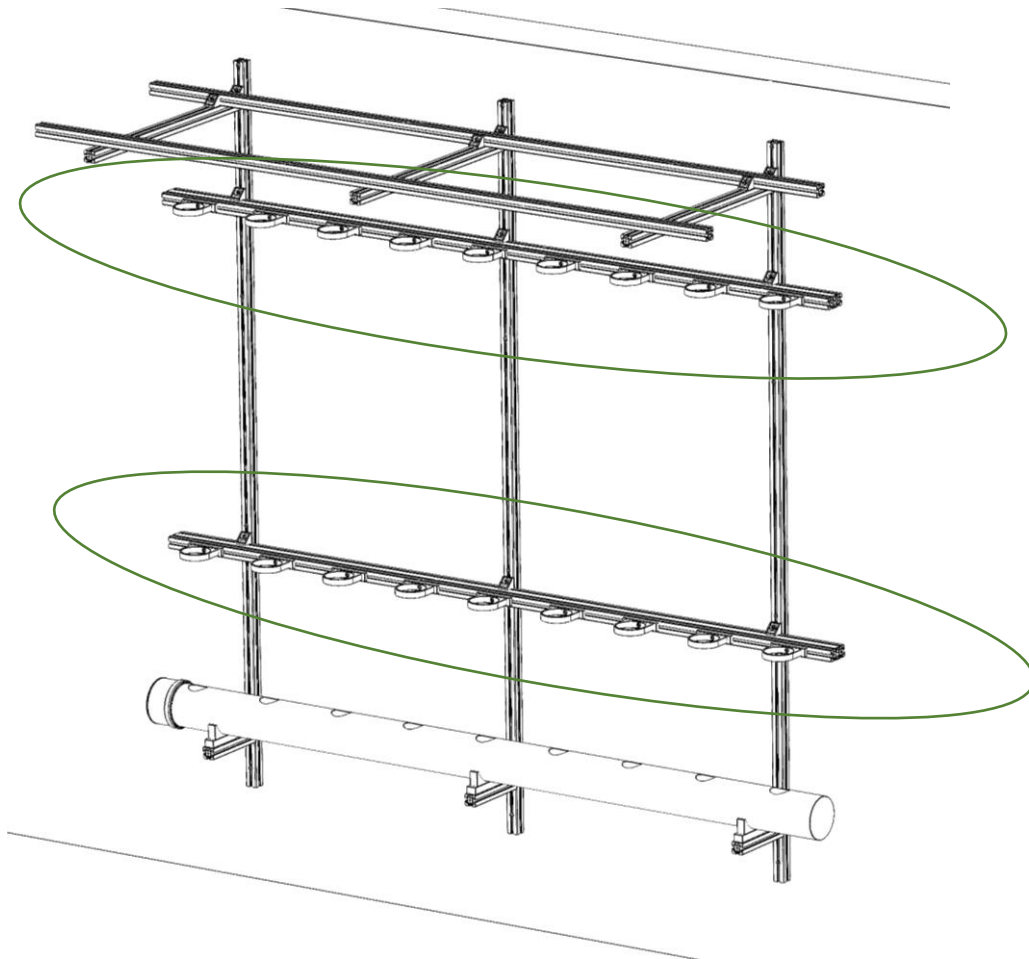
GROW WALL SYSTEM

Assemble the Wall System



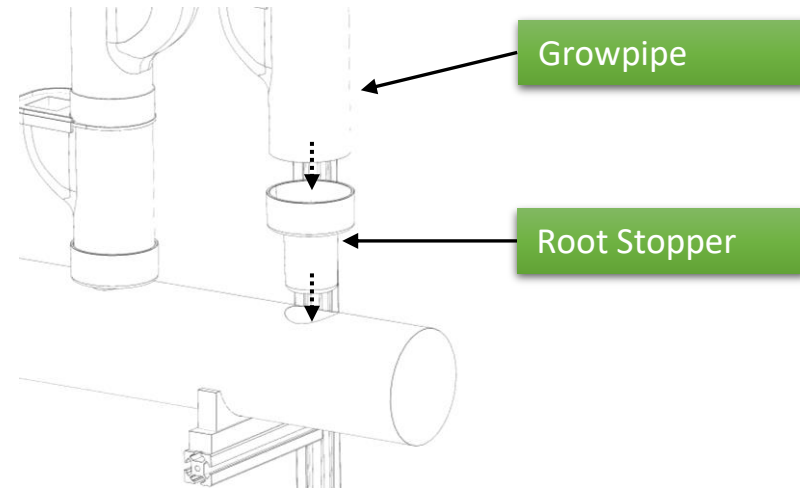
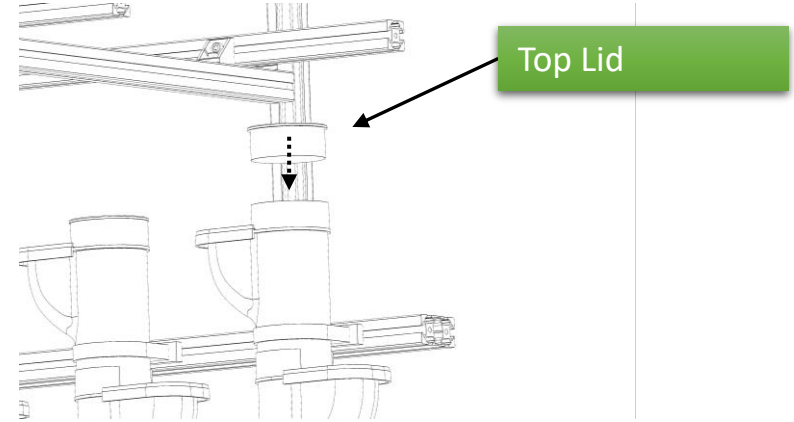
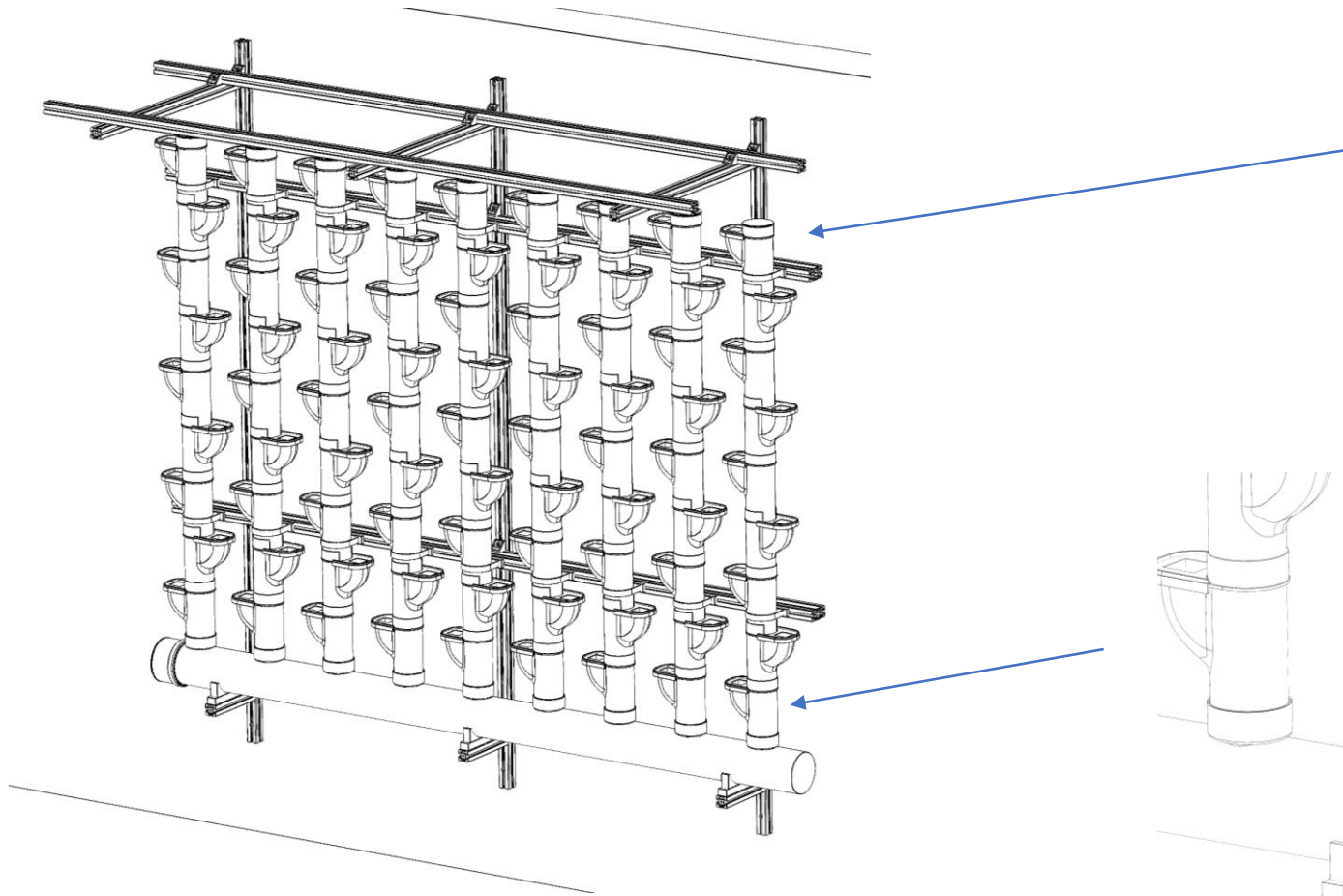
GROW WALL SYSTEM

Assemble the Wall System



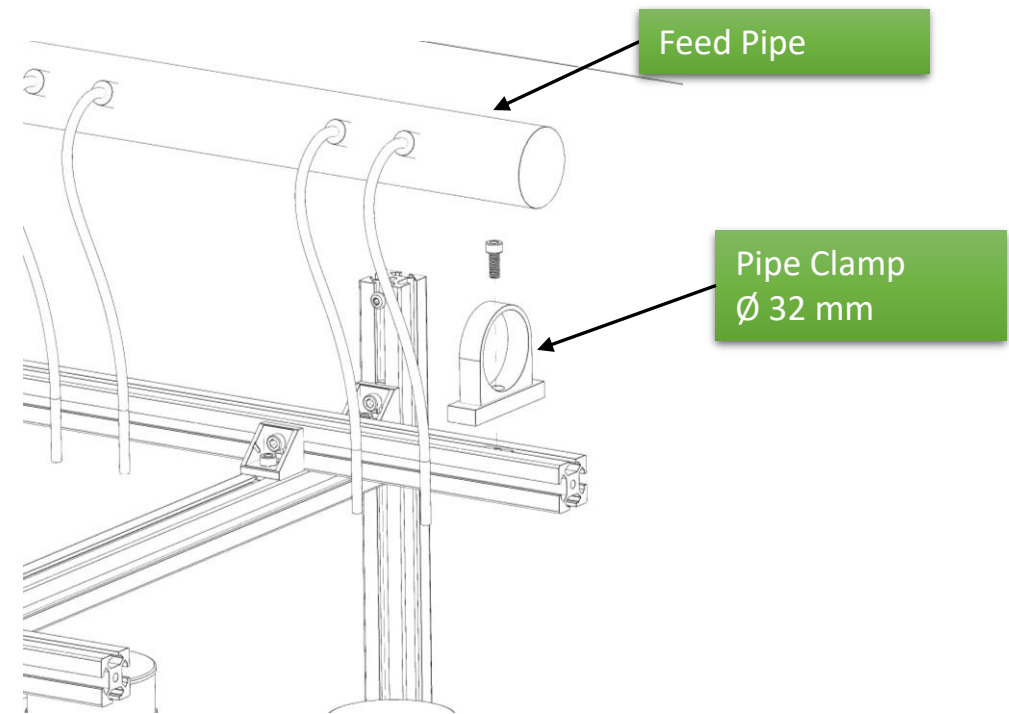
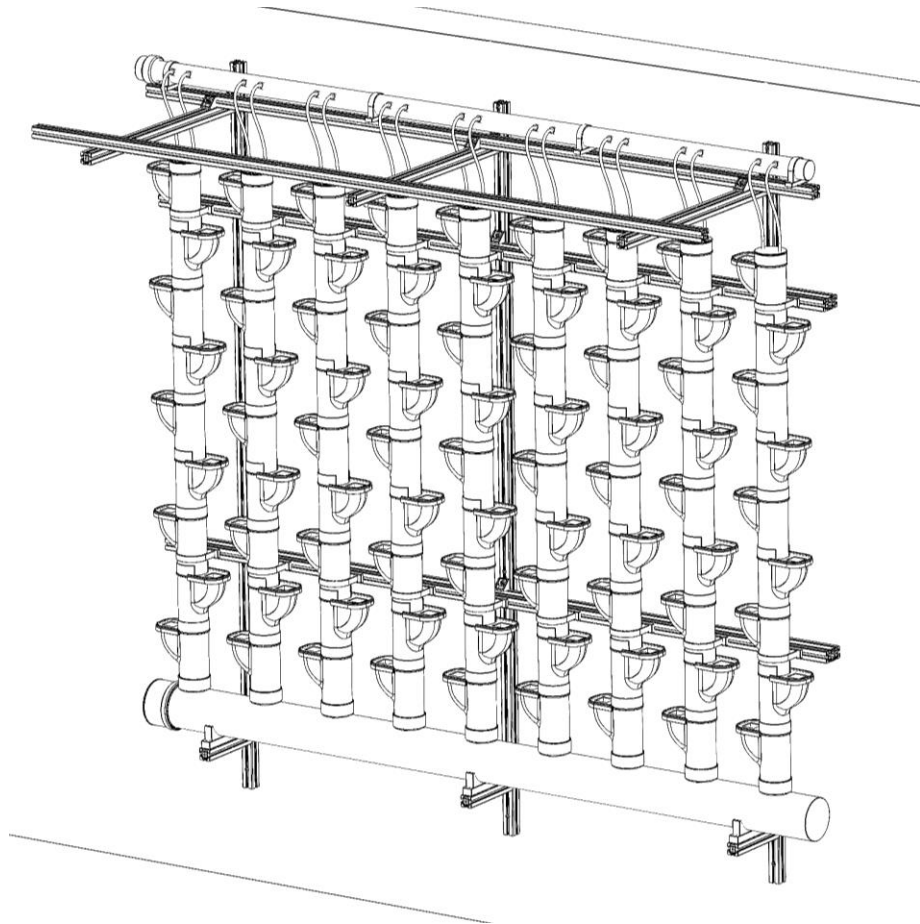
GROW WALL SYSTEM

Assemble the Wall System



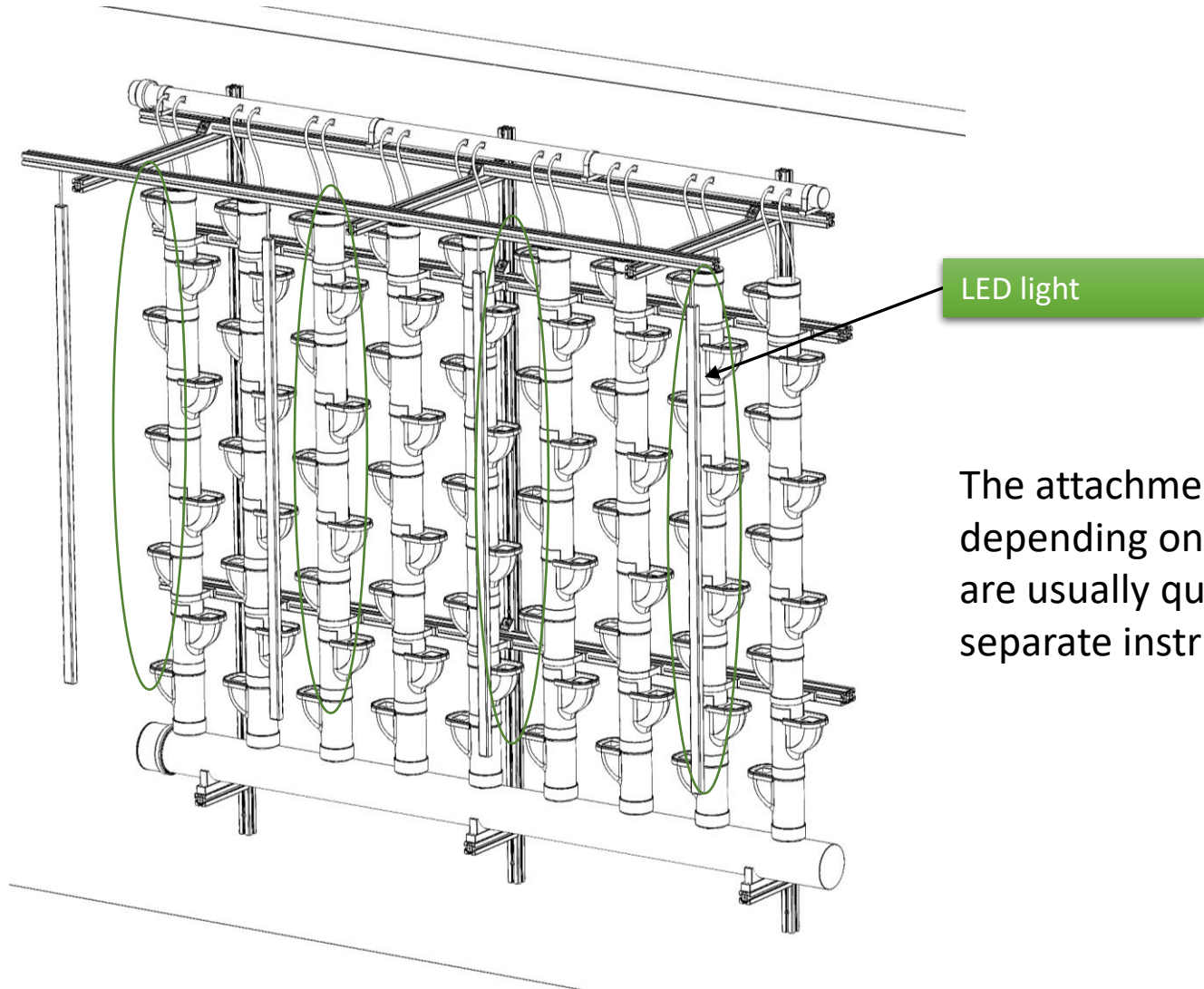
GROW WALL SYSTEM

Assemble the Wall System



GROW WALL SYSTEM

Assemble the Wall System



The attachment of the LED lights are depending on the brand of the LED's. The LED's are usually quoted separately and comes with separate instruction.