



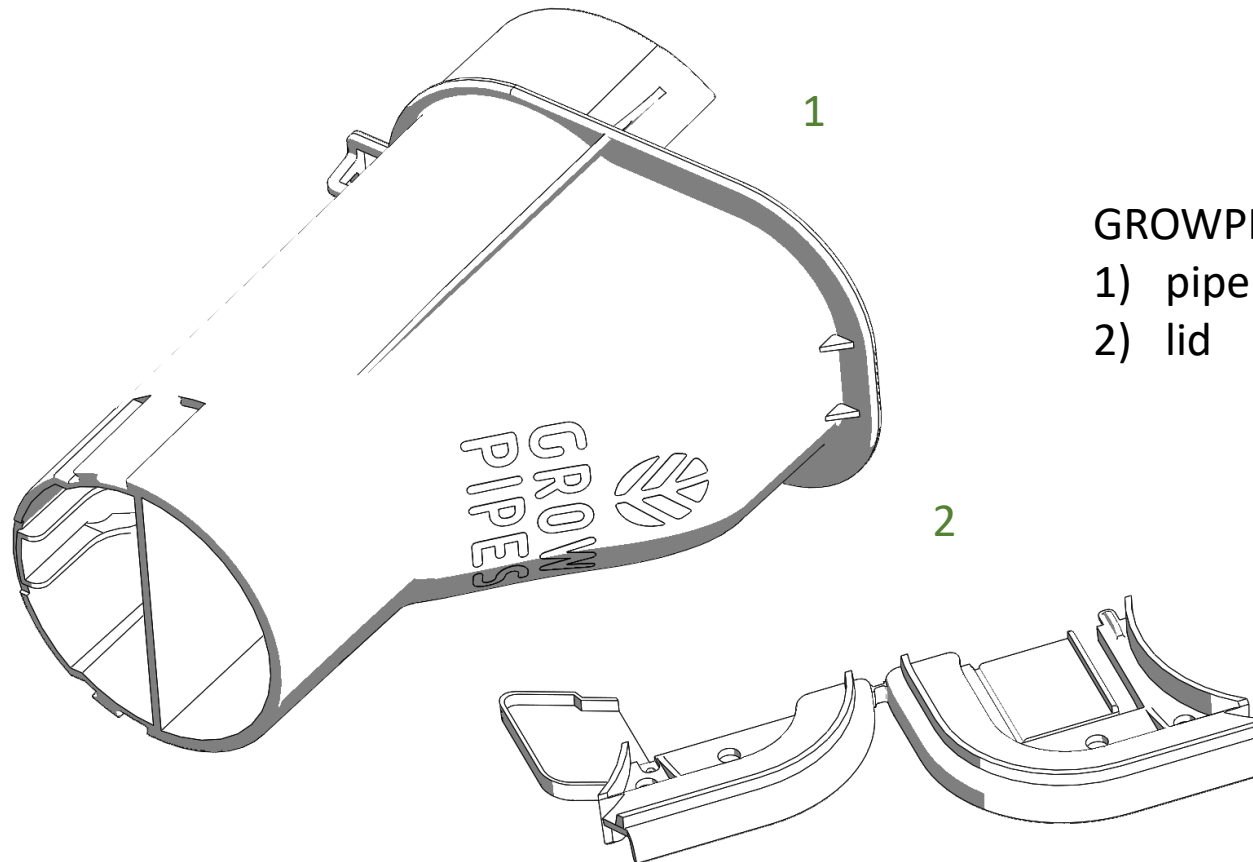
GROW PIPES

Assembly instructions for wall units.

Thank you for choosing GROWPIPES.

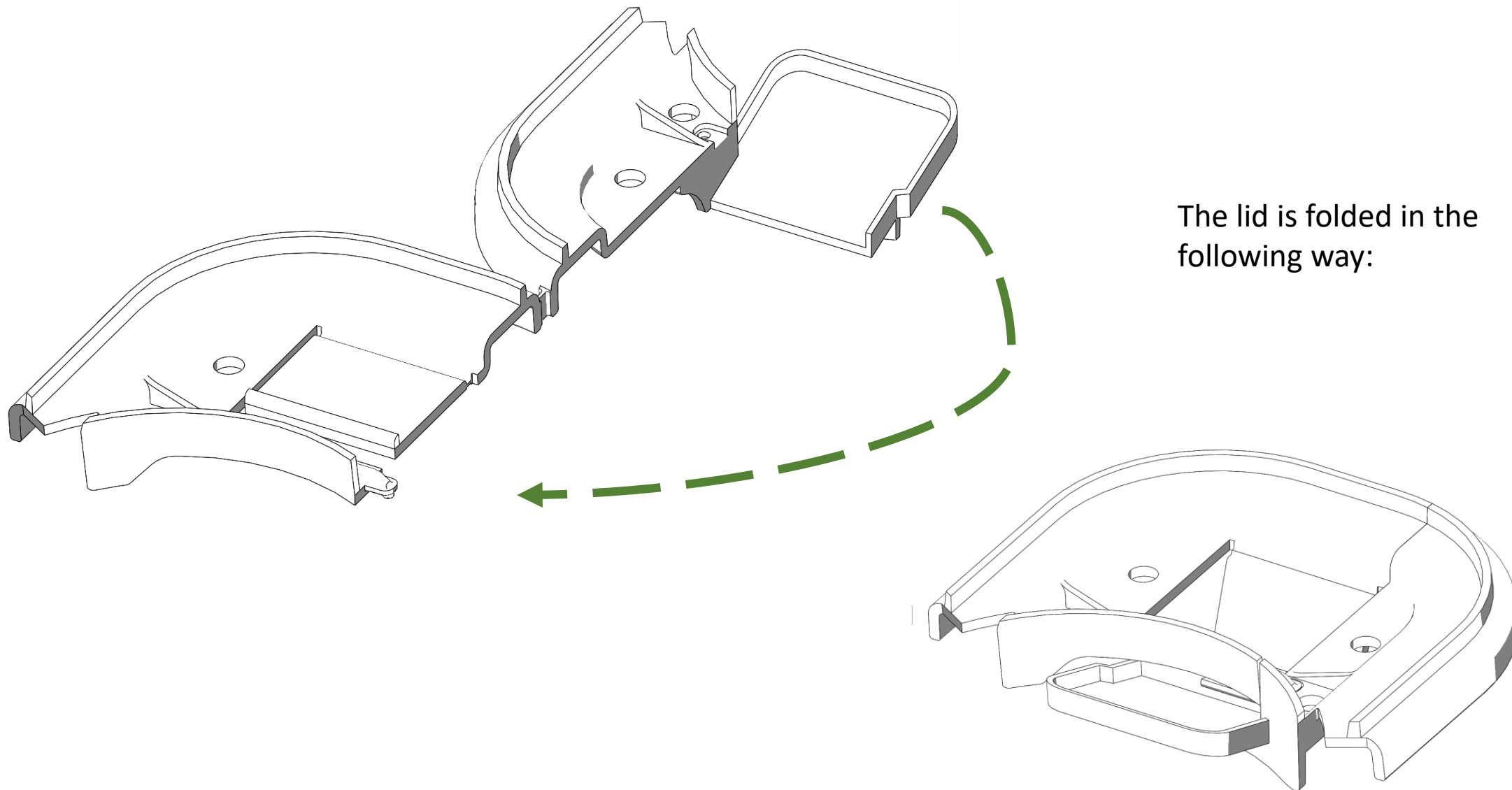
A simple, clean and effective way to cultivate fresh food.

Each section 150 mm tall, 75 mm in diameter, is designed to maximize any cultivation area indoors or outdoors.

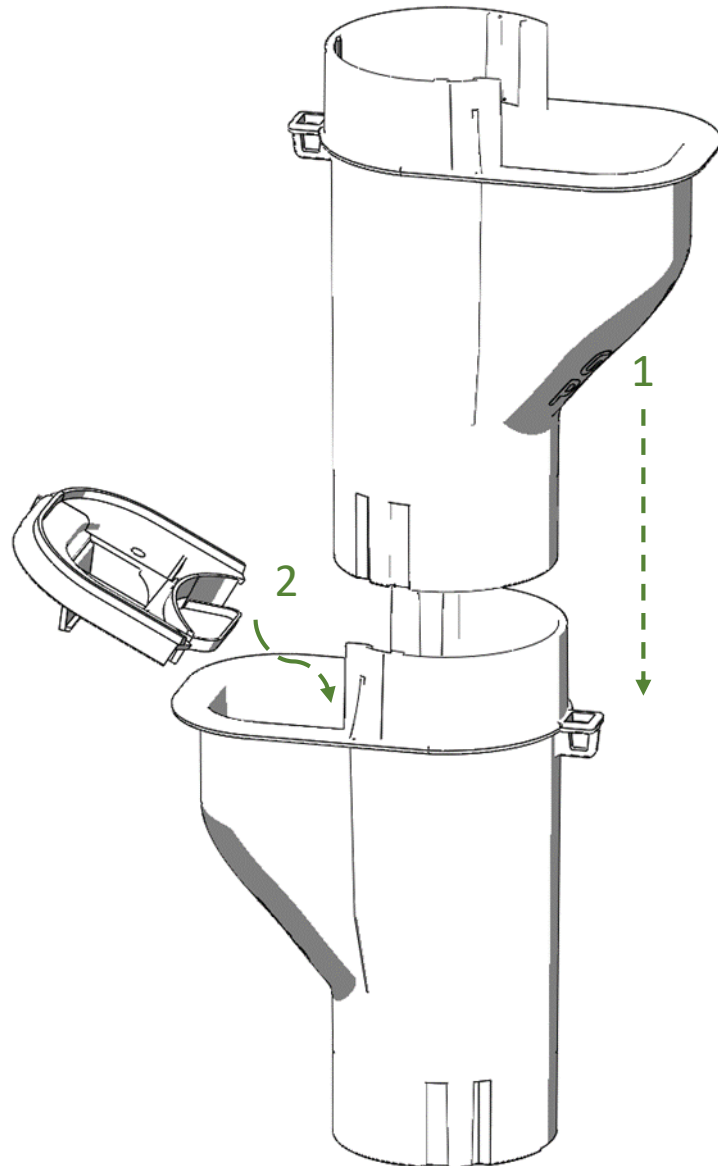


GROWPIPES consists of two parts:

- 1) pipe
- 2) lid

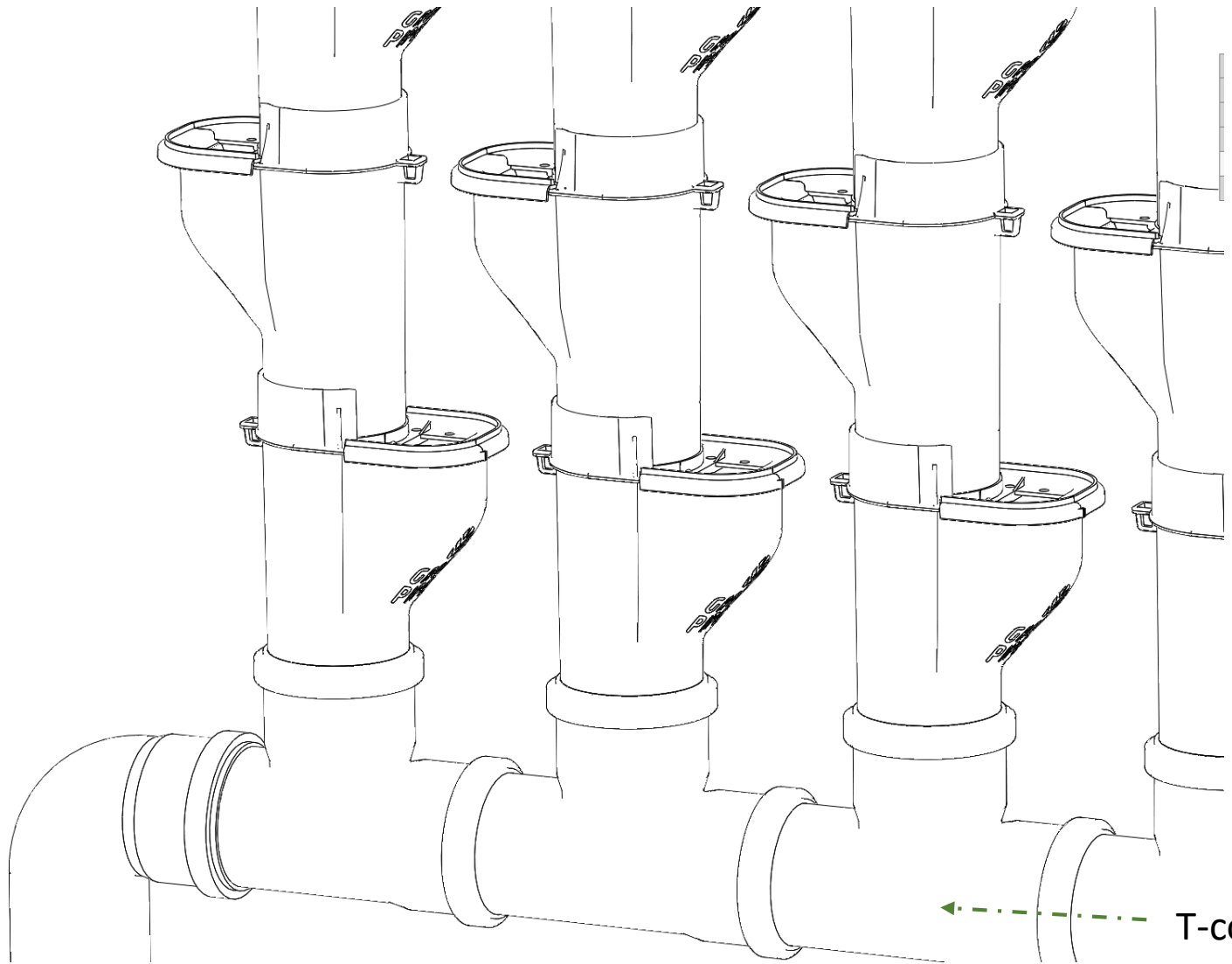


The lid is folded in the following way:



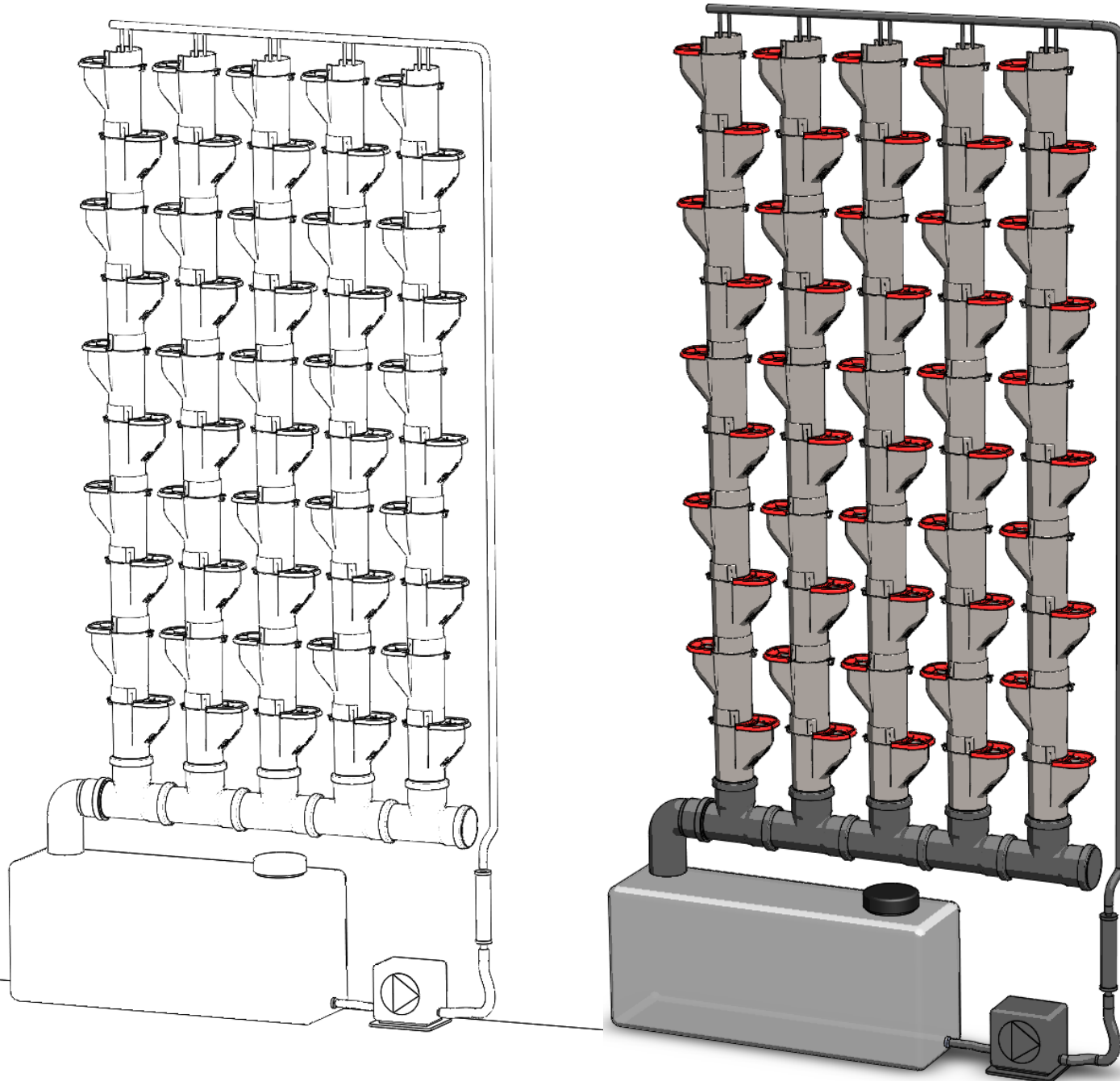
1) Mount the pipes on top of each other with a plant holder on each side.

2) The lids are then placed on respective pipes.



The GROWPIPES system is designed to fit industry standards 75 dn.

← T-coupling standard 75 mm



The illustration shows a wall unit with 50 plants. The size and number of pipes can easily be adjusted to the intended growing area.